

Reg. No.

--	--	--	--	--	--	--	--	--	--

**SIDDHARTH INSTITUTE OF ENGINEERING & TECHNOLOGY:: PUTTUR
(AUTONOMOUS)
B.Tech II Year I Semester Supplementary Examinations August-2022
MACHINE DRAWING
(Mechanical Engineering)**

Time: 4 hours

Max. Marks:60

**Section – I
(Answer any two questions, 2 x 4 = 8)**

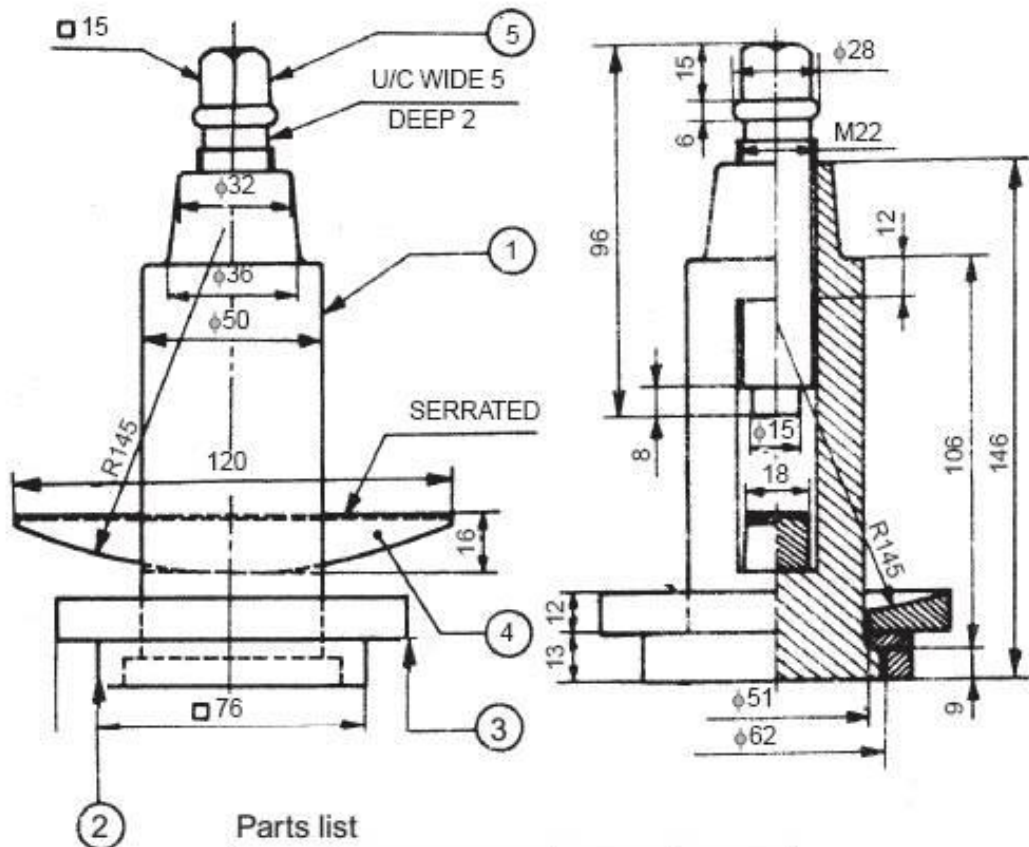
- 1 Sketch the conventional representation of the following materials:
(a) Metals (b) Glass
- 2 Sketch the conventional representation of the following:
(a) Spur gear (b) helical gear
- 3 Draw the three views of a hexagonal headed bolt of nominal diameter 25mm and length 100mm; with a hexagonal nut and washer.

**Section – II
(Answer any two questions, 2 x 8 = 16)**

- 4 Sketch any four forms of commonly use drive threads, choosing the rivet diameter r as 10 mm.
- 5 Sketch a cotter joint with proportions.
- 6 Draw double riveted chain type lap joint to connect to plates of 15 mm thick.

**Section – III
(Compulsory Questions, 1 x 36 = 36)**

7 Draw the part drawings of **Lathe Single Tool Post** shown in figure.



Parts list

No.	Name	Matl	Qty
1	Pillar	MCS	1
2	Block	MCS	1
3	Ring	MS	1
4	Wedge	MCS	1
5	Screw	TS	1